



2011

TRUCK CHASSIS SPECIFICATIONS

(NE8J) SS-NE028AHB7
GVW: 7,250 kg (19,500 lbs.)

All 2011 models require ultra-low sulfur diesel fuel

DIMENSIONS (On standard specifications)

| MODEL | | NE8JGSA-HB7 | NE8JJA-HB7 | NE8JLSA-HB7 | NE8JMSA-HB7 |
|-----------------|-----------|---------------|---------------|---------------|---------------|
| Wheelbase | A mm(in.) | 3,861 (152.0) | 4,445 (175.0) | 4,750 (187.0) | 5,207 (205.0) |
| Overall length | B mm(in.) | 6,162 (242.6) | 7,076 (278.6) | 7,686 (302.6) | 8,143 (320.6) |
| Overall width | C mm(in.) | 2,430 (95.7) | 2,430 (95.7) | 2,430 (95.7) | 2,430 (95.7) |
| Overall height | D mm(in.) | 2,610 (102.8) | 2,610 (102.8) | 2,610 (102.8) | 2,610 (102.8) |
| Cab to axle | E mm(in.) | 2,149 (84.6) | 2,733 (107.6) | 3,038 (119.6) | 3,495 (137.6) |
| Rear overhang | F mm(in.) | 1,270 (50.0) | 1,600 (63.0) | 1,905 (75.0) | 1,905 (75.0) |
| Frame height at | | | | | |
| Front axle | G mm(in.) | 830 (32.7) | 830 (32.7) | 830 (32.7) | 830 (32.7) |
| Rear axle | H mm(in.) | 910 (35.8) | 910 (35.8) | 910 (35.8) | 910 (35.8) |
| Road clearance | | | | | |
| (at front axle) | J mm(in.) | 180 (7.1) | 180 (7.1) | 180 (7.1) | 180 (7.1) |
| Tread | | | | | |
| Front | K mm(in.) | 2,020 (79.5) | 2,020 (79.5) | 2,020 (79.5) | 2,020 (79.5) |
| Rear | L mm(in.) | 1,840 (72.4) | 1,840 (72.4) | 1,840 (72.4) | 1,840 (72.4) |
| Turning radius | | | | | |
| Tire | mm(in.) | 6,460 (254.3) | 7,320 (288.2) | 7,760 (305.5) | 8,430 (331.9) |
| Swept | mm(in.) | 6,970 (274.4) | 7,830 (308.3) | 8,270 (325.6) | 8,940 (352.0) |

CHASSIS WEIGHTS (On std. spec., without spare tire & std. tool set)

| AT | Total weight | kg(lb.) | 4,300 (9,480) | 4,275 (9,420) | 4,350 (9,490) | 4,350 (9,590) |
|----|--------------|---------|---------------|---------------|---------------|---------------|
| | Front axle | kg(lb.) | 2,635 (5,810) | 2,710 (5,970) | 2,735 (6,030) | 2,785 (6,140) |
| | Rear axle | kg(lb.) | 1,665 (3,670) | 1,565 (3,450) | 1,570 (3,460) | 1,565 (3,450) |

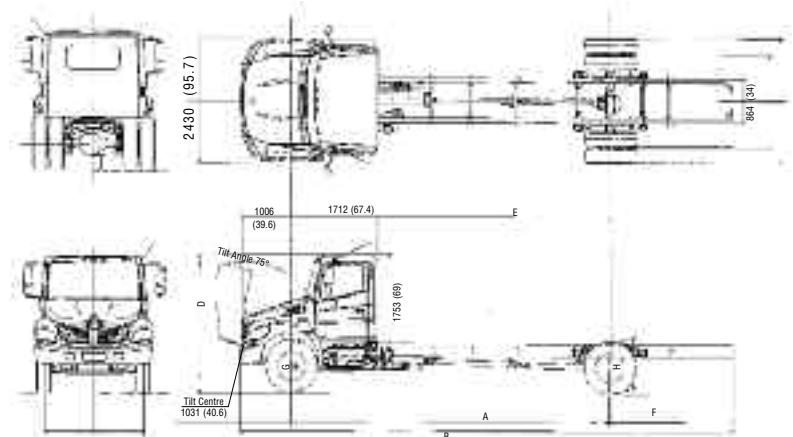
POWER LINE & PERFORMANCE

[8,863 kg (19,500 lbs.) GVW & 225/70/R19.5 tires]

| Power line | <input type="checkbox"/> OPT. |
|------------------------|-------------------------------|
| Max. speed km/h | 135 |
| Gradeability (tan.θ) % | 31.9 |
| Transmission Model | Allison 1000 RDS |
| Type | Six-speed automatic |
| 1st. | 3.102 |
| 2nd. | 1.811 |
| 3rd. | 1.406 |
| Ratios | 4th. 1.000 |
| | 5th. 0.712 |
| | 6th. 0.610 |
| | Rev. 4.492 |
| Rear axle gear ratios | 4.110 |
| Tire size | 225/70R19.5 |

ENGINE

| Model | HINO J08E-VC |
|--------------------------|---|
| Type: | Diesel 4-cy., 6-cyl. in-line, water-cooled |
| Combustion system: | Direct injection type |
| Max. output: (SAE Gross) | 220HP at 2,500 rpm |
| Max. torque: (SAE Gross) | 706 N·m (520 lb.-ft.) at 1,500 rpm |
| Bore and stroke: | 112 x 130 mm (4.41 x 5.12 in.) |
| Piston displacement | 7.684 L (468.8 cu.in.) |
| Fuel injection system: | Common rail ND |
| Governor: | Electronically controlled |
| Intake system: | Turbocharged and intercooled |
| Air cleaner: | Paper filter type ("DONALDSON") |
| Pre-heater: | Glow plug type |
| Fan clutch: | Bimetal thermostat sensor regulates fan speed |
| Block heater: | 1,000 watts/120V immersion type |



WEIGHT CAPACITIES

| | | |
|--------------|-----------|----------------|
| Front axle | kg (lbs.) | 3,309 (7,280) |
| Rear axle | kg (lbs.) | 6,209 (13,660) |
| Front spring | kg (lbs.) | 3,636 (8,000) |
| Rear spring | kg (lbs.) | 8,636 (19,000) |

LIQUID CAPACITIES

| | |
|--------------------------------------|----------------------|
| Fuel tank ltr.(gal./US) | 196.8 (52), aluminum |
| Cooling system | Allison 1000 RDS: |
| ltr.(gal./US) | 23.0 (6.08) |
| Diesel Exhaust Fluid, ltr. (gal./US) | 19 (5.02) |

AXLE / SUSPENSION

| | |
|--------------|--|
| Front axle | MFS-8 series reversed Elliot, "I" beam, Oil lubricated front wheel bearings |
| Front spring | Taper-leaf springs w/ shock absorbers |
| Rear axle | RS17-145 series Full-floating, single reduction Single-speed hypoid gears, oil-lubricated type |
| Rear spring | Semi-elliptic main and auxiliary helper |
| Option: | Two air bag suspension with shock absorbers and dump valve |

FRAME

| | |
|--|--|
| Ladder type | Straight J section |
| Width mm(in.) | 863.6 (34) |
| Tensile strength kg/mm ² (lb/in) ² | 63.4 (90,143) |
| Resisting bending moment (one side) | 1,188,862 (1,031,900) no reinforcement |
| kgf•cm (in•lbs.) | |

STEERING

| | |
|------|--|
| Type | Telescopic and tilt steering column with lock Recirculating ball, with hydraulic booster integral type |
|------|--|

WHEELS / TIRES

| | |
|-----------------|------------------------|
| 6 Wheels | 19.5X6.75 8-stud disc. |
| 6 Tires | 225/70R19.5(G) |
| Brand & Pattern | BS Fr: RIB, Rr: LUG |

BRAKES

| | |
|-------------------------------|--|
| Service brake | Hydraulic system with disc brakes for front and rear wheels, with automatic adjustment |
| Disc diameter | Front; |
| x pad area (cm ²) | 390.5 x 122.3 x 18.8 |
| x thickness | (15.375 x 18.96 x 0.74) |
| mm(in.) | Rear; |
| | 390.5 x 122.3 x 18.8 |
| | (15.375 x 18.96 x 0.74) |
| Control | Hydraulic dual circuit with Antilock Brake System (ABS) |
| Parking brake | Mechanical, internal expanding acting on the drive shaft |
| Drum diameter | 304.8 (12) |
| mm(in.) | |
| Exhaust brake | Electric-pneumatic with valve in exhaust pipe |

CAB EQUIPMENT

| | |
|--------------------------------------|--|
| Cab construction | - All steel welded |
| Seating | - Three |
| Driver's seat | - Adjustable reclining, covered with fabric, with air suspension and armrest |
| Passenger's seat | - Bench type, covered with fabric |
| Seat belts | - 3-point type (driver and passenger), one 2-point type (centre) |
| Heater/Defroster | - 18,357 BTU/h (4,627 Kcal/h) |
| Power mirrors | - outside rearview, black, 1 flat, heated and 1 convex on each side |
| Sun visors | - Two |
| Over-head console | - Two |
| Air conditioning | |
| Windshield | - Laminated |
| Windshield wipers | - Dual electric, 2-speed and intermittent |
| Cup holders | |
| Electric power windows | |
| Electronic cruise control | |
| Cigarette lighter / 12V power outlet | |
| Power door locks | - keyless entry |

DASH INSTRUMENTATION

| | |
|---------------------------------------|--------------|
| Driver information display | |
| Meters and gauges, metric system | |
| Speedometer | - km/h (mph) |
| Odometer | (km/h) |
| Fuel gauge | |
| Diesel exhaust fluid gauge | |
| Coolant temperature gauge | |
| Engine tachometer | |
| Warning and pilot lamps and buzzers | |
| Oil pressure warning lamp and buzzer | |
| Coolant level warning lamp and buzzer | |
| Battery charging warning lamp | |
| High beam indicator lamp | |
| Turn signal pilot lamp | |
| Parking brake warning lamp | |
| Engine control system warning lamp | |
| ABS warning lamp | |
| Glow plug pre-heater indicator lamp | |

ELECTRICAL EQUIPMENT

| | |
|---------------------------------------|--|
| Batteries | Two, parallel connection, each 12 V |
| Capacity | 1400 CCA |
| Alternator | 12 V, 135 A brushless |
| Starter | 12 V, 4.0 kW |
| Audio system | AM/FM radio with CD, DVD, GPS & Bluetooth® |
| Headlamps | 2, composite type |
| Identification lamps (front) | LED type |
| Stop/Tail lamps | |
| Back-up lamps | |
| Turn signals and hazard warning lamps | |
| Dome lamps | |
| Front side marker lamps | |
| Clearance lamps (front) | LED type |
| Electrical horn (dual) | |

CHASSIS EQUIPMENT

| | |
|-----------------|---|
| Fuel pre-filter | - Pre-filter (dust) and sedimenter (water) with heater, Davco |
| Reflectors | - Two rear, two front side |
| Hook | - One at front |
| Radiator Grille | - painted, silver |
| Bumper | - white, 3 piece |

See your authorized Hino Dealer for a complete list of options and accessories.

NOTE : All specifications of the products are with normal manufacturing allowances and tolerances. HINO MOTORS CANADA, LTD. reserves the right to alter specifications at any time without previous notice.